

RAIN MASTER® TWICE™ 2-WIRE

**UP TO 48 STATIONS
OUTDOOR/INDOOR
(EAGLE-36/DX2-48)**



Unlike other two-wire systems, the Irritrol® Rain Master 2-wire protocol provides a two-way communication link between the controller, decoders and valves. This provides the means for testing and diagnostic capabilities within the two-wire system. The simplicity of the two-wire field installation, coupled with the enhanced capability of the Rain Master 'E' series and DX2 Series controllers, sets a new precedent for two-wire control within the irrigation industry.

KEY FEATURES & BENEFITS

EVAPOTRANSPIRATION (ET) BASED SCHEDULING

Maximizes water saving and irrigation efficiency

FLOW SENSING AND CONTROL

Monitors system flow and responds to upper, lower, unscheduled and no flow conditions.

TWO-WIRE INTERFACE MODULE

Provides two-wire capability for any Irritrol Sentar II, Rain Master Eagle or Rain Master DX2 controller

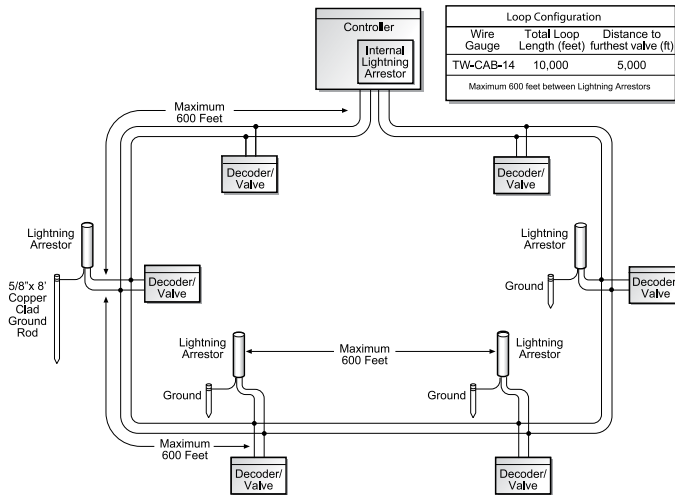
DECODER TWO-WAY COMMUNICATION

Provides troubleshooting diagnostics to retain system integrity

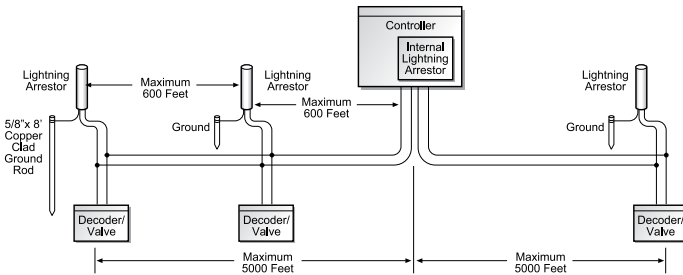
PROGRAMMABLE DECODERS

Provides flexibility in programming decoder identification

TWICE LOOP CONFIGURATION



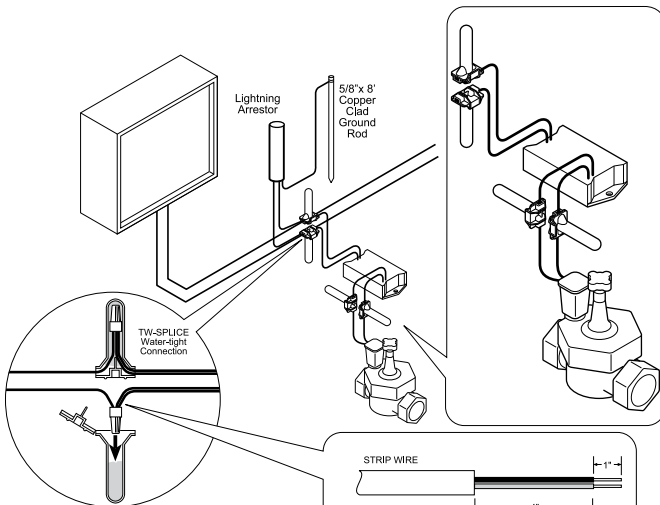
TWICE STRAIGHT LINE CONFIGURATION



Straight Line Configuration	
Wire Gauge	Total Wire Length (feet)
TW-CAB-14	5,000

Maximum 600 feet between Lightning Arrestors

TWICE WIRE CONNECTION DETAIL



We reserve the right to improve our products and make changes in the specifications and designs without notice and without incurring obligation. Products depicted in this brochure are for demonstration purposes only. Actual products offered for sale may vary in design and features.

MODULES

- Easy-to-read LED status indication for every command
- LED also displays valve activation and diagnostic reporting
- Trouble shooting capabilities:
 - LED decoder "active" indication
 - LED valve power "on" indication
 - Two-way communication verification

DECODERS

- Each decoder has a unique address (programmable at the interface module)
- Decoders will automatically shut off if communication is lost
- Wire fault detection automatically shuts down any valve.
- Valves can be operated up to 100' radius of the decoder

ELECTRICAL SPECIFICATIONS

- Input power: 105-130V ac, 50/60 Hz, 0.5 amp maximum, 1 amp idle
- Output power: 24V ac, 1.5 amps maximum total output or (36 VA) 1.0 amp per station or master valve
- UL, CUL, and FCC approved

MODELS

Model	Controller Description
TW-SE36	Sentar II, up to 36 decoders, rolled steel wall mount
TW-SE36-SB	Sentar II, up to 36 decoders, stainless steel wall mount
TW-EG36	Rain Master Eagle, up to 36 decoders, rolled steel wall mount
TW-EG36-SB	Rain Master Eagle, up to 36 decoders, stainless steel wall mount
TW-EG36-SPED	Rain Master Eagle, up to 36 decoders, 14 gauge stainless steel security pedestal
TW-EGi36	Rain Master Eagle-i, up to 36 decoders, rolled steel wall mount
TW-EGi36-SB	Rain Master Eagle-i, up to 36 decoders, stainless steel wall mount
TW-EGi36-SPED	Rain Master Eagle-i, up to 36 decoders, 14 gauge stainless steel security pedestal
TW-DX48-PWM	Rain Master DX2, 6 to 48 decoders, rolled steel cabinet
TW-DX48-SWM	Rain Master DX2, 6 to 48 decoders, stainless steel cabinet
TW-DX48-SPED	Rain Master DX2, 6 to 48 decoders, 14 gauge stainless steel security pedestal
TW-DX48-RETRO	Rain Master DX2, 6 to 48 decoders, retrofit stainless steel back panel
TW-DX48-UFEN	Rain Master DX2, 6 to 48 decoders, stainless steel front entry

DIMENSIONS

- Station TW model: H: 10" W: 13" D: 4.5"
- Station TW-B & SE model: H: 17.5" W: 13" D: 4.5"
- Station TW-SPED model: H: 34" W: 16" D: 16"

OPTIONAL 2-WIRE DECODERS AND ACCESSORIES

Model	Controller Description
• TW-D-1	single valve AC decoder
• TW-D-2	dual valve AC decoder
• TW-D-4	quad valve AC decoder
• TW-LA-1	lightning arrestor used every 600 feet
• TW-SPLICE	14 gauge water tight connectors
• TW-CAB	14 gauge (red/black) Polycoated (blue) wire